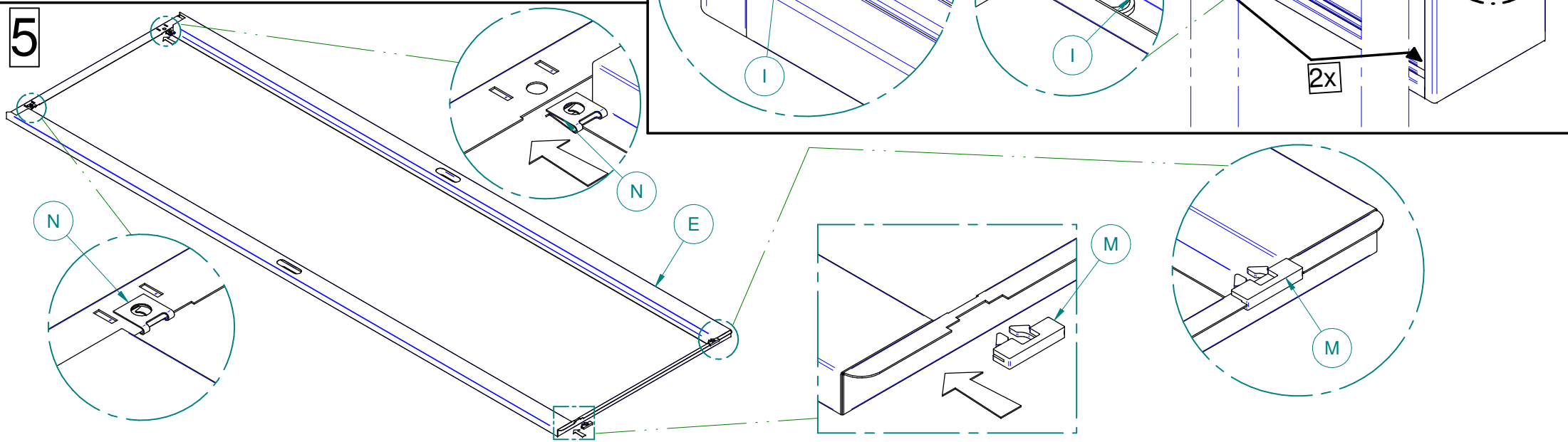
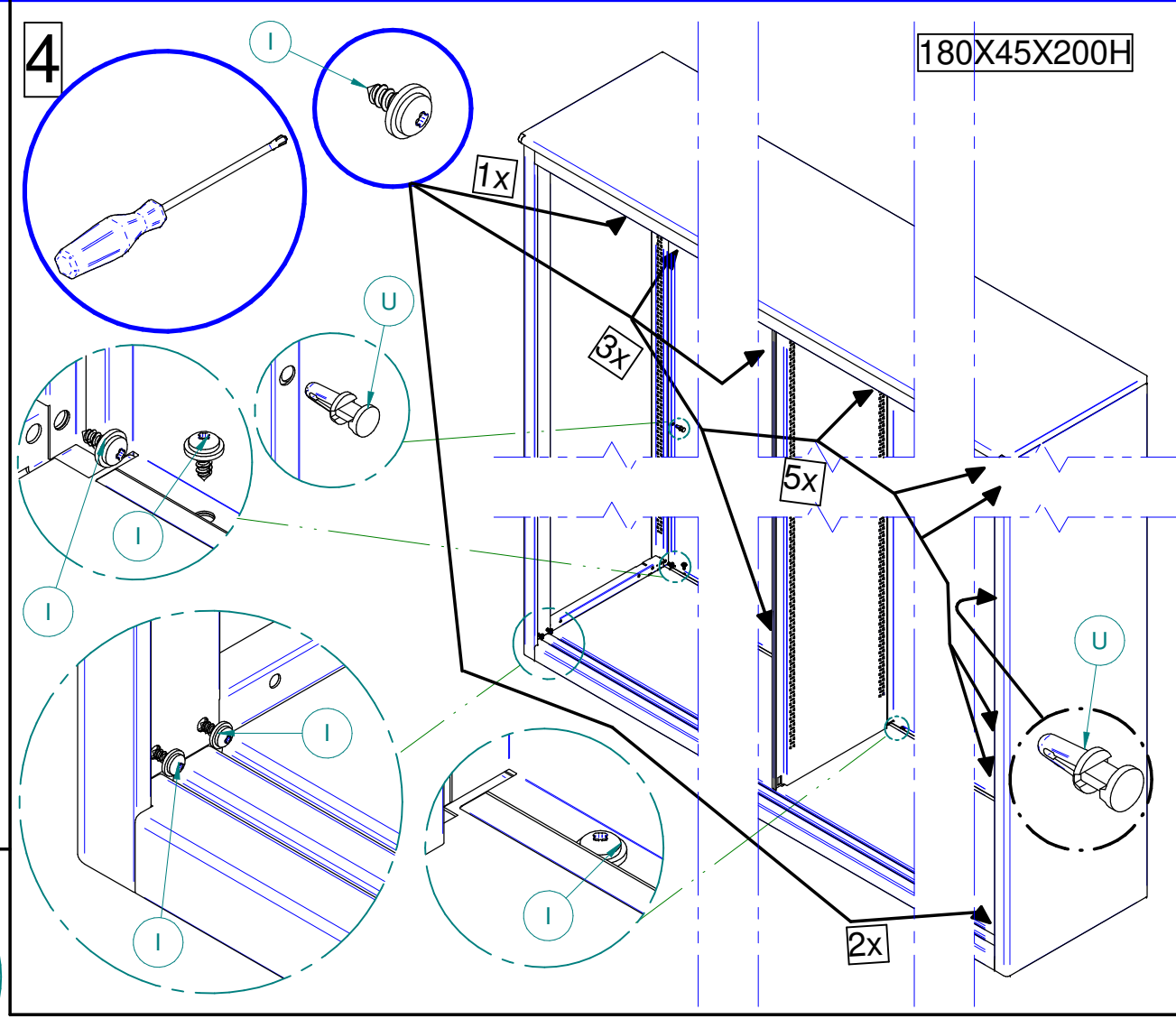
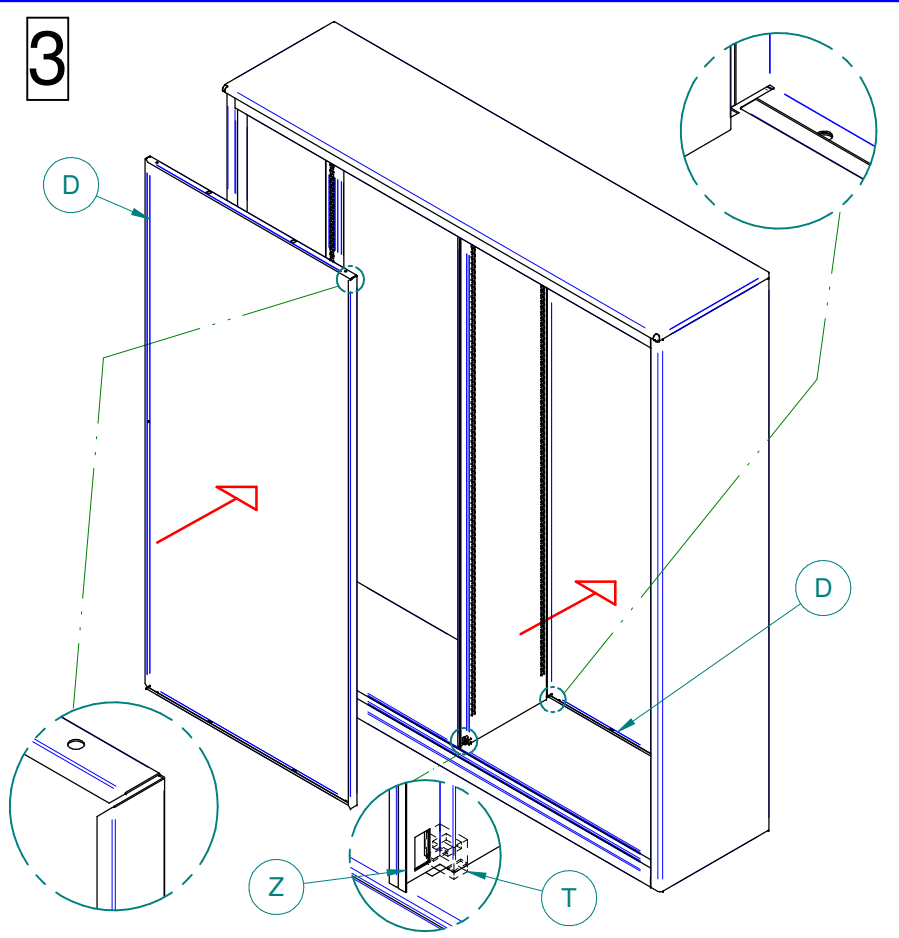
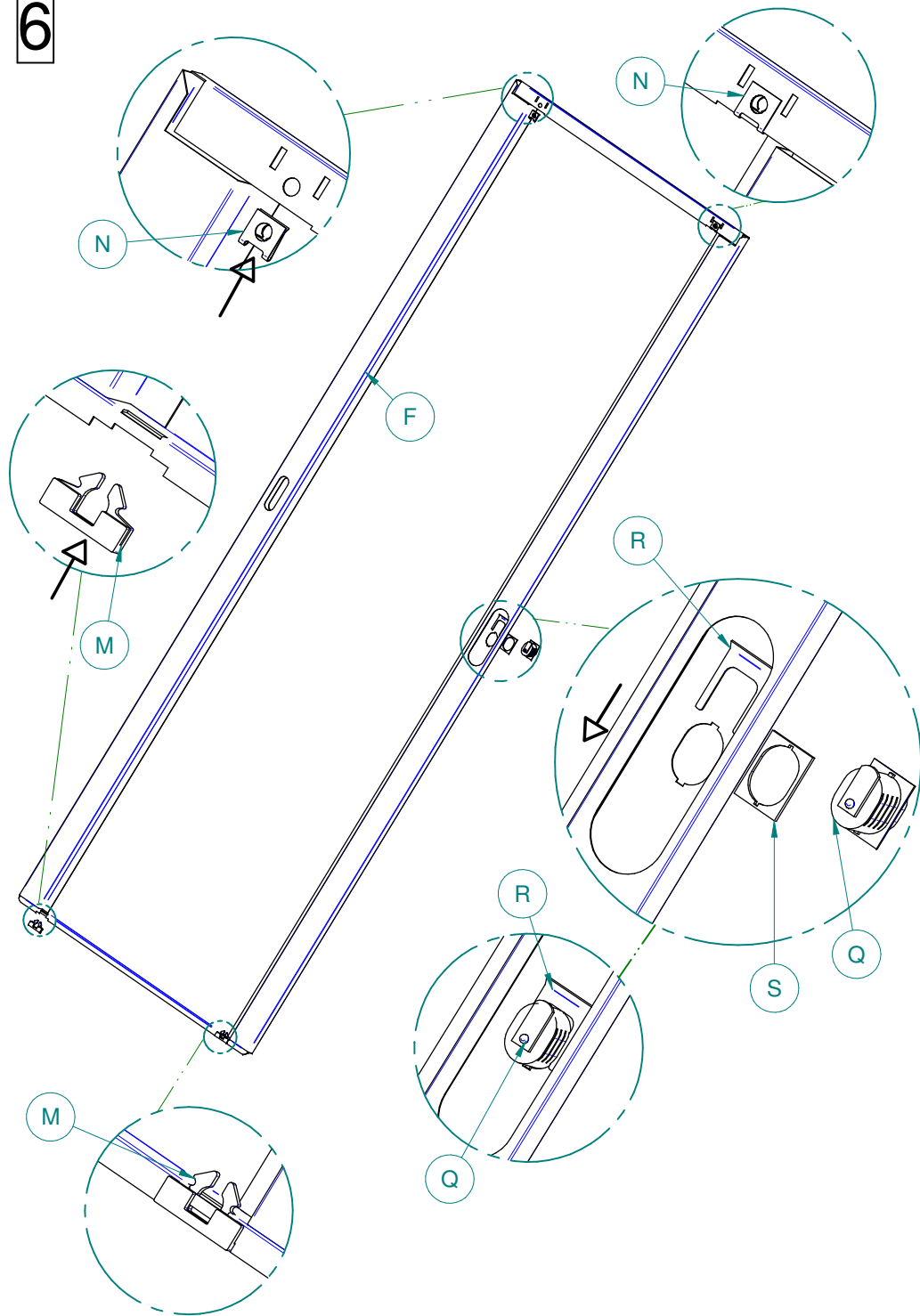


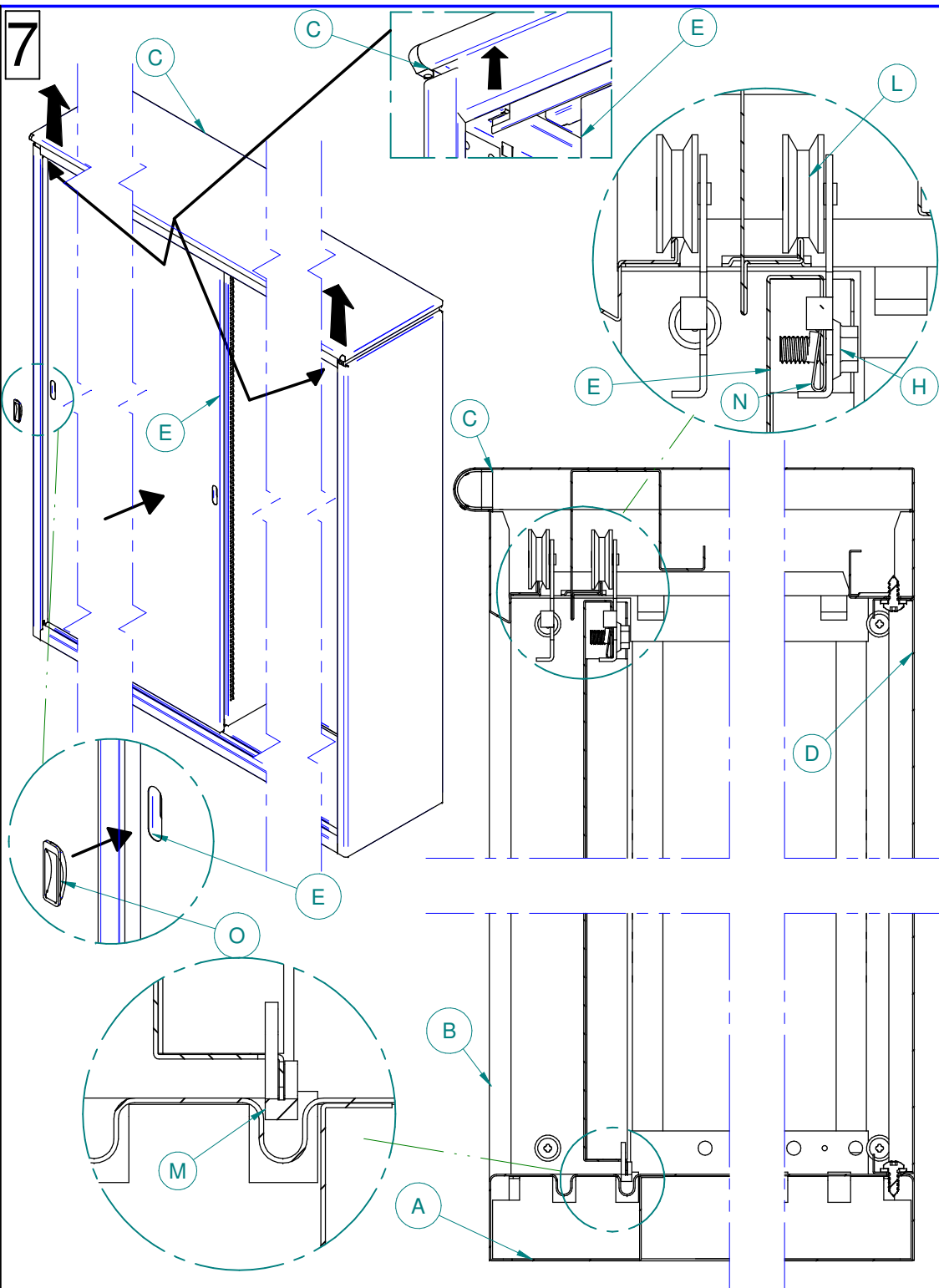
MOD.	H	I	L	M	N	O	P	Q	R	S	T	U
150/180x45x200H	4	20	4	4	4	2	32	1	1	1	2	2
150/180x45x150H	4	20	4	4	4	2	24	1	1	1	2	2
150/180x45x116H	4	20	4	4	4	2	16	1	1	1	2	0
150/180x45x85H	4	20	4	4	4	2	8	1	1	1	2	0
150/180x45x75H	4	20	4	4	4	2	8	1	1	1	2	0
150/180x45x65H	4	20	4	4	4	2	0	1	1	1	2	0



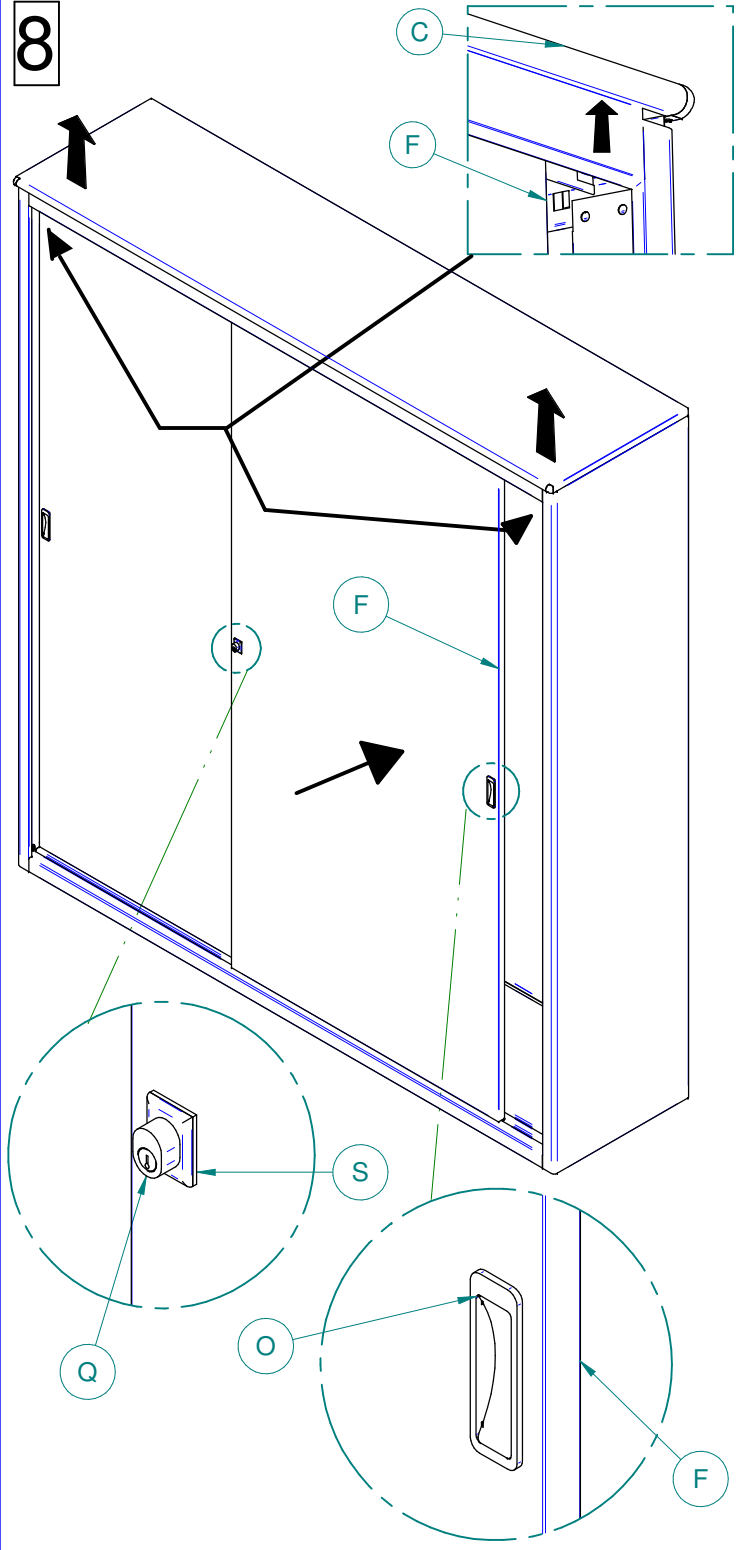
6



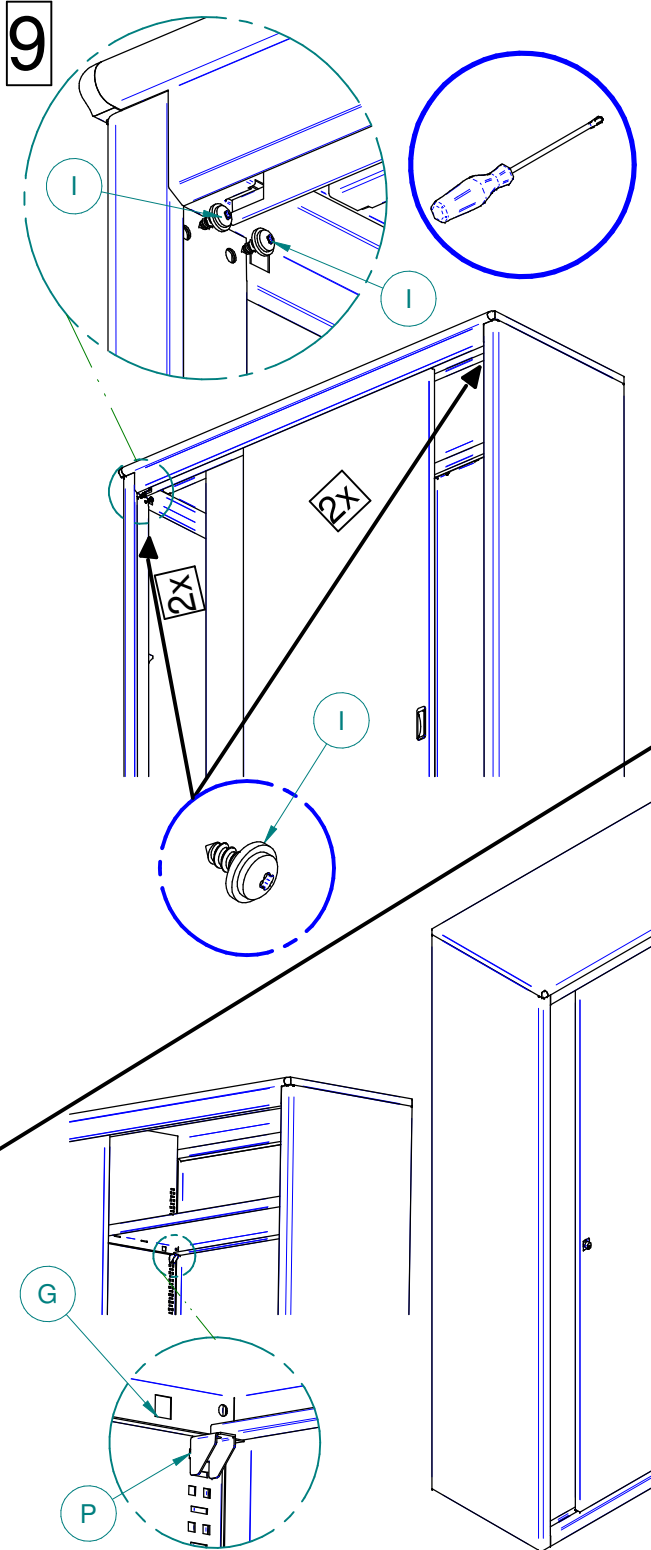
7



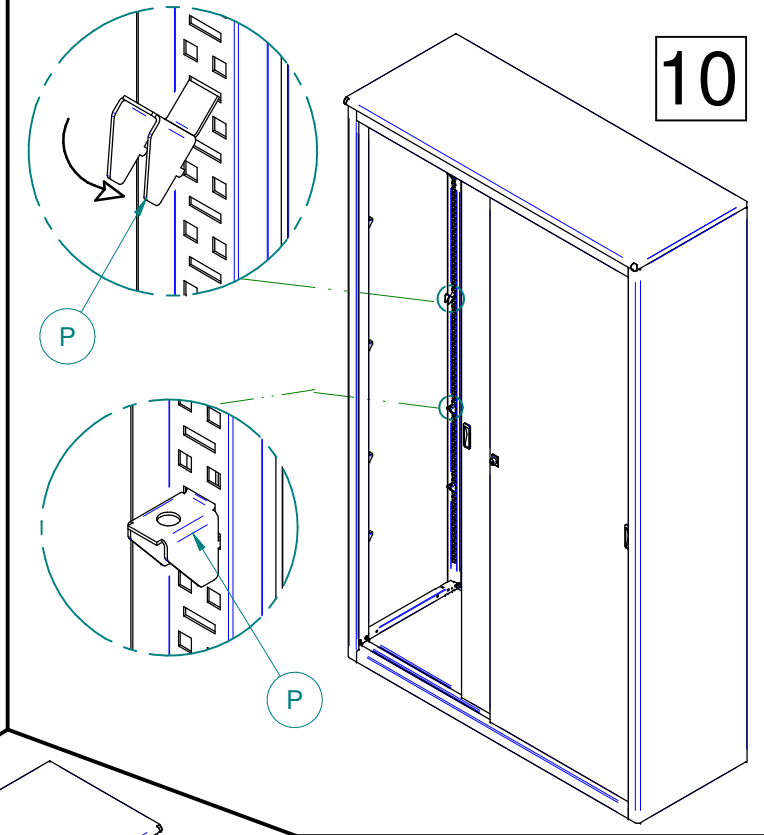
8



9



10



180 X 45 X 200H

11

